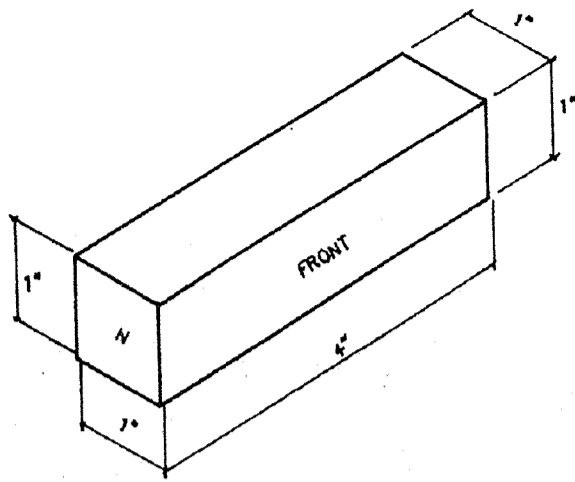


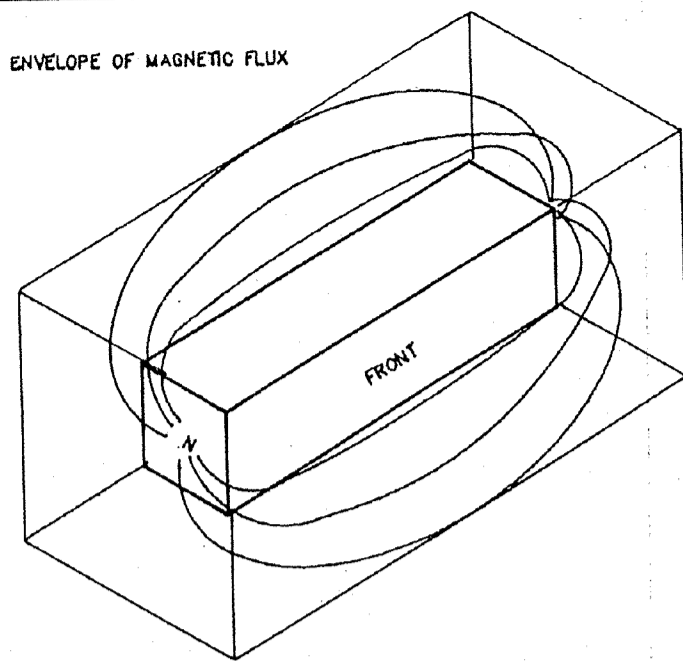
DESIGNER: LLOYD B. ZIRBES
 DRAFTING: DEW CAD
 SCALE: 1" = 1"
 DATE: MAY 11, 1989

PERMANENT MAGNET

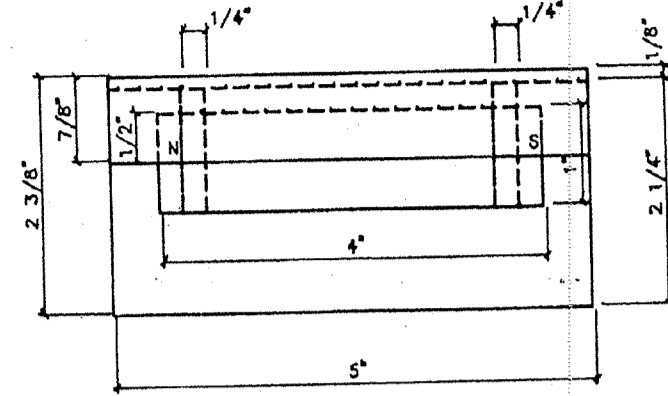


ISOMETRIC VIEW

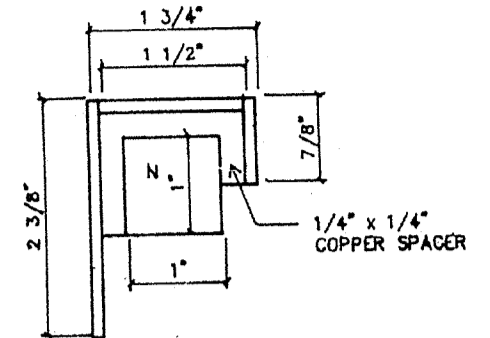
ENVELOPE OF MAGNETIC FLUX



ISOMETRIC VIEW

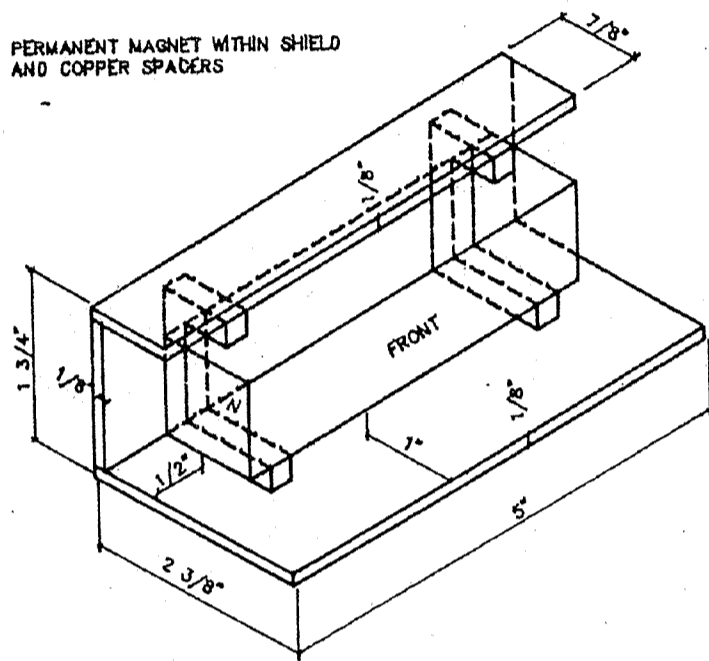


TOP VIEW



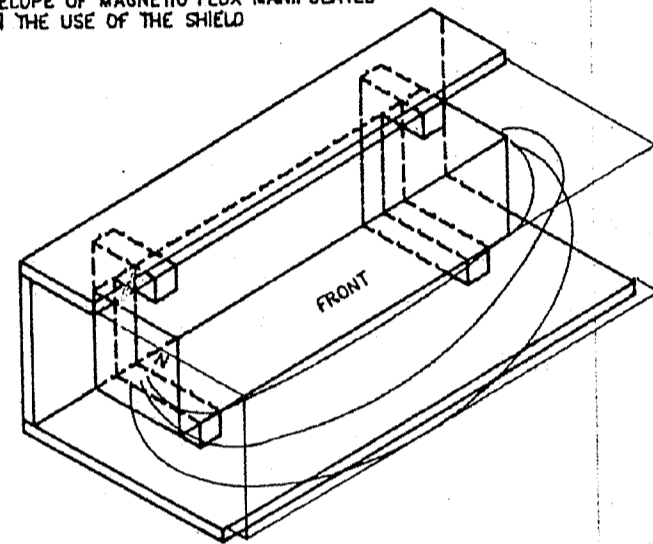
SIDE VIEW

PERMANENT MAGNET WITHIN SHIELD AND COPPER SPACERS

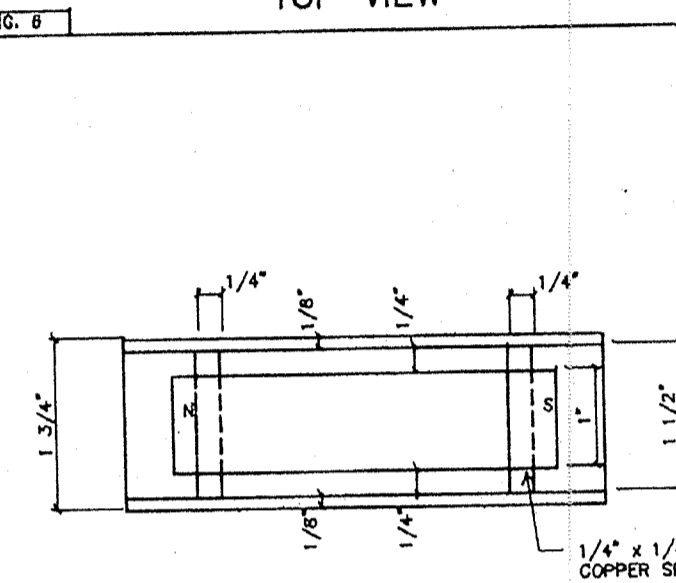


ISOMETRIC VIEW

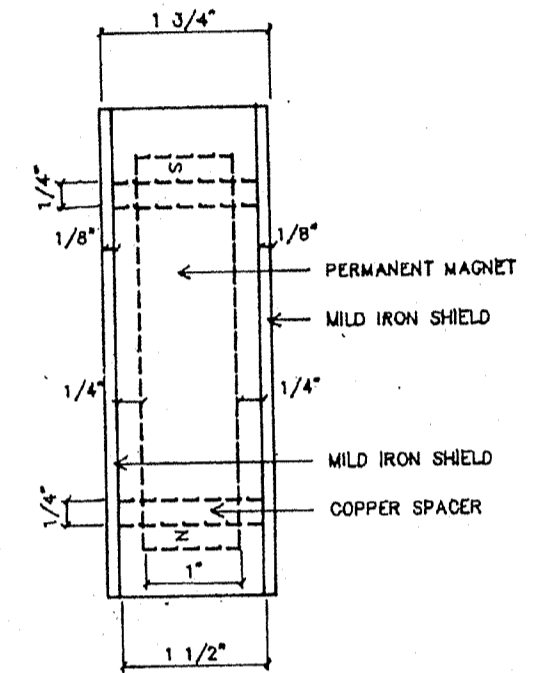
ENVELOPE OF MAGNETIC FLUX MANIPULATED WITH THE USE OF THE SHIELD



ISOMETRIC VIEW

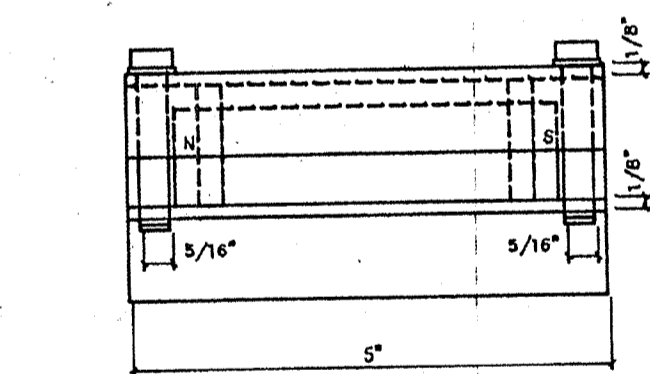


FRONT VIEW

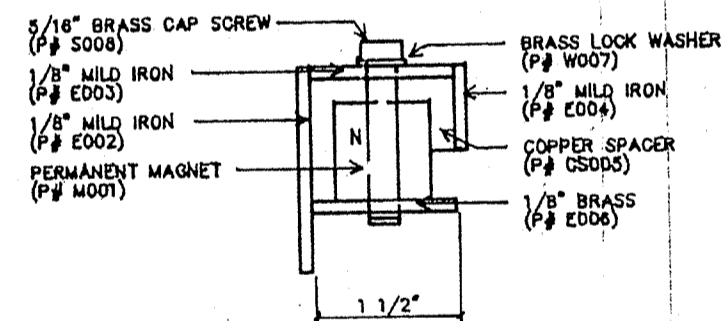


BACK VIEW

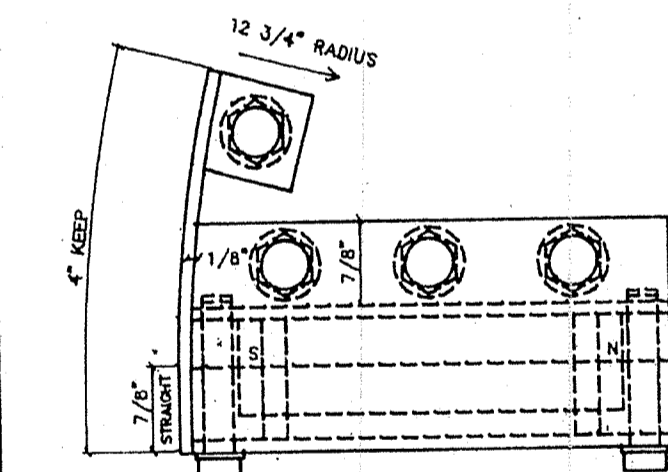
PERMANENT MAGNET WITHIN SHIELD AND COPPER SPACERS



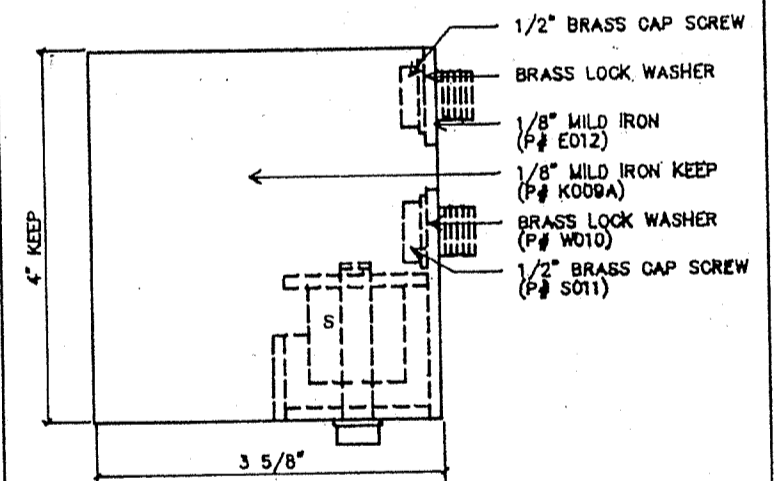
TOP VIEW



SIDE VIEW

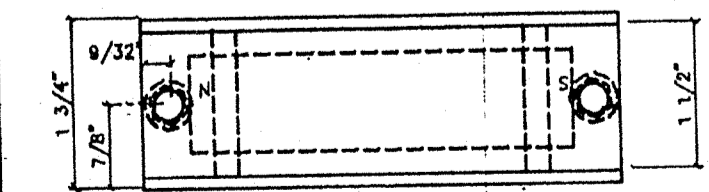


BOTTOM VIEW (ENERGIZER A)

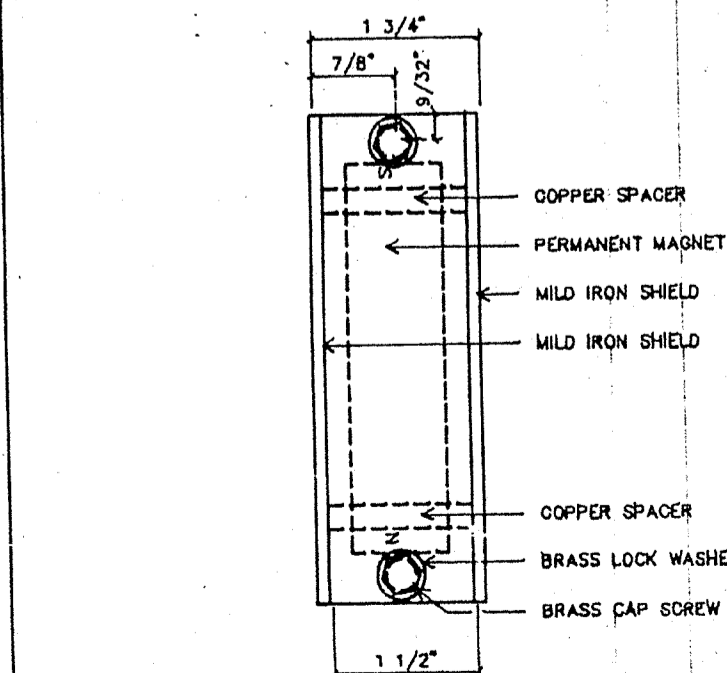


SIDE VIEW (ENERGIZER A)

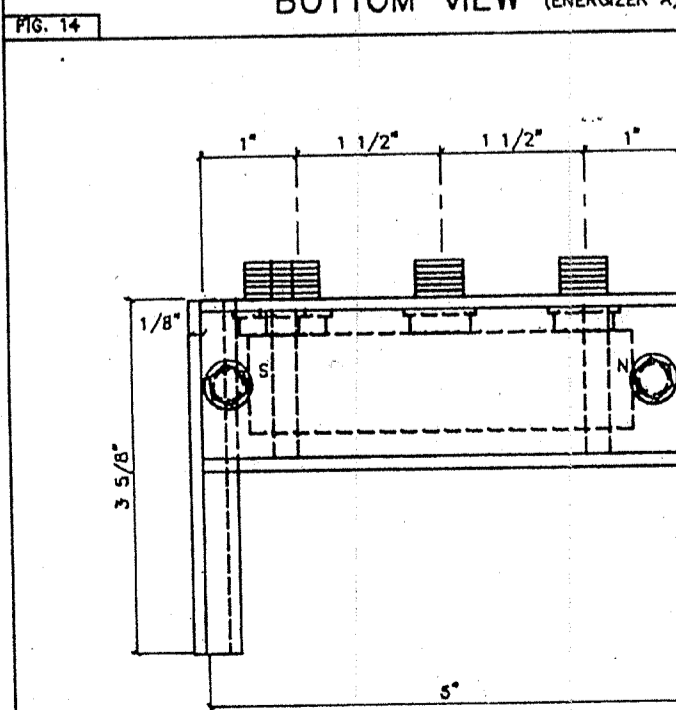
PERMANENT MAGNET WITHIN SHIELD AND COPPER SPACERS



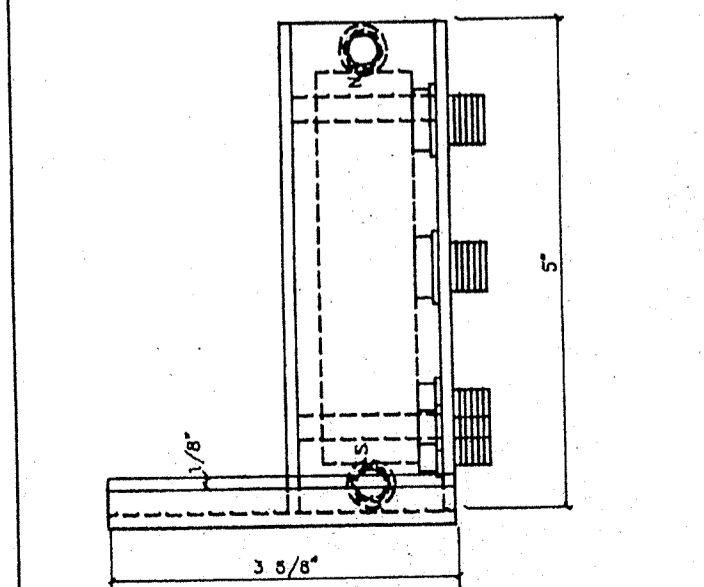
FRONT VIEW



BACK VIEW



BACK VIEW (ENERGIZER A)



FRONT VIEW (ENERGIZER A)

PERMANENT MAGNET WITHIN SHIELD AND COPPER SPACERS